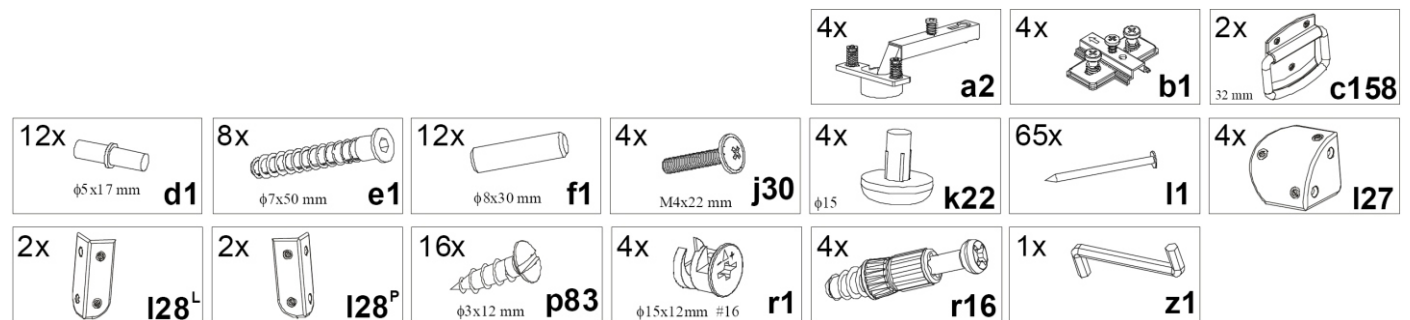
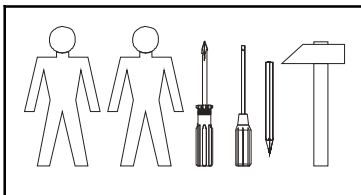
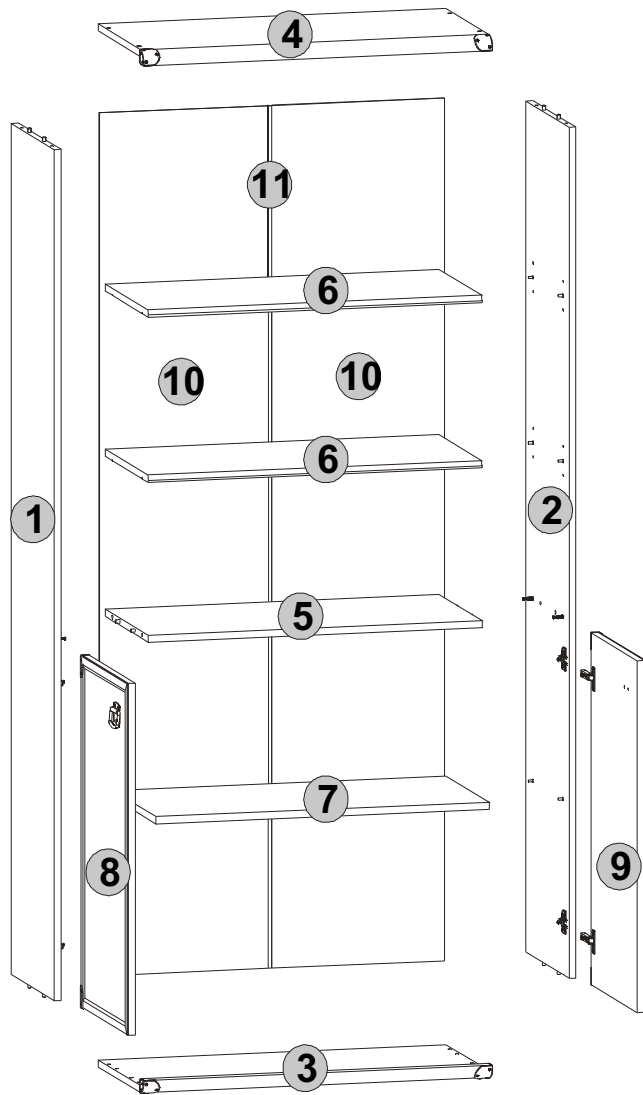


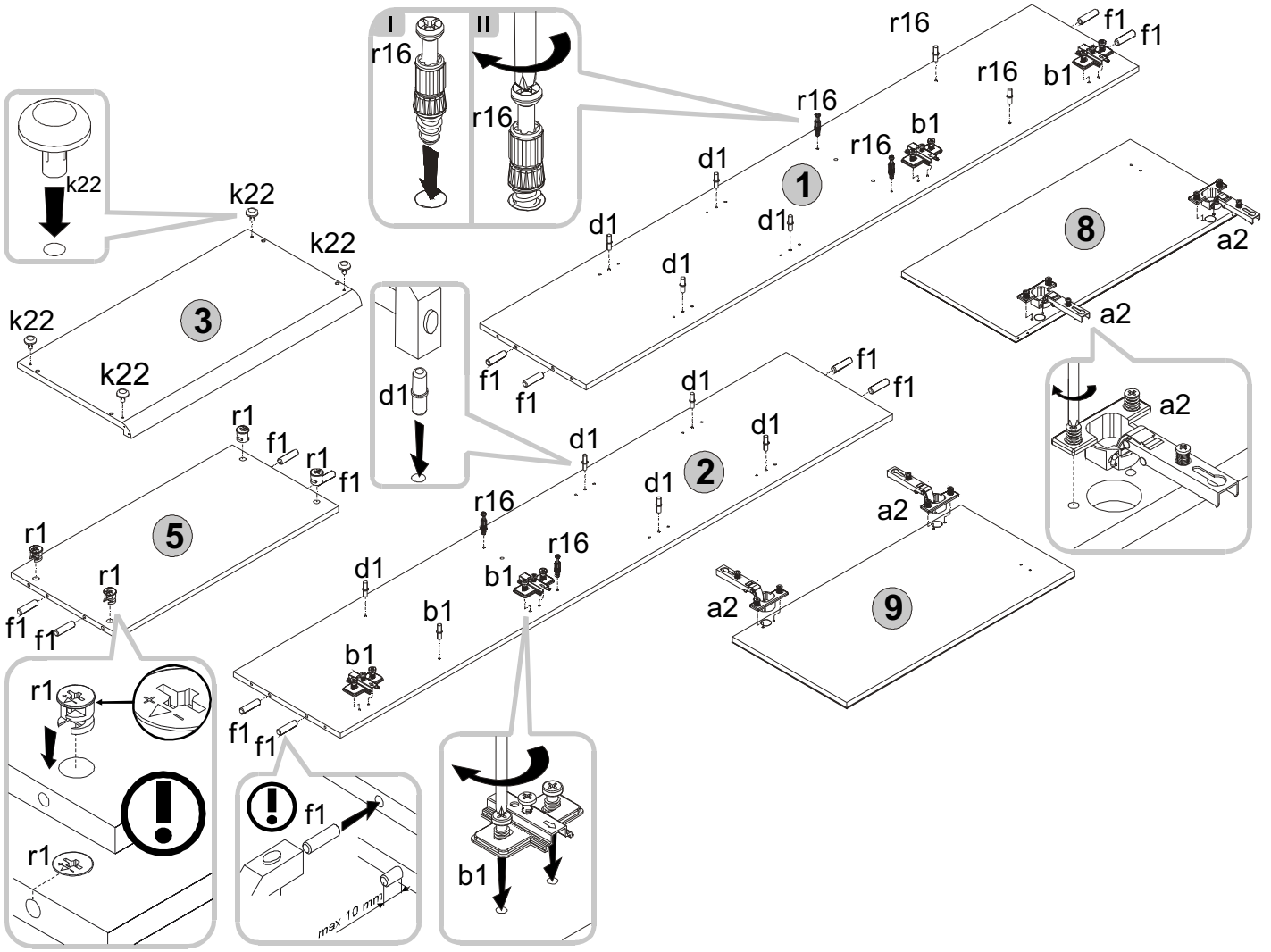
# INDIANA 2

JREG 2do

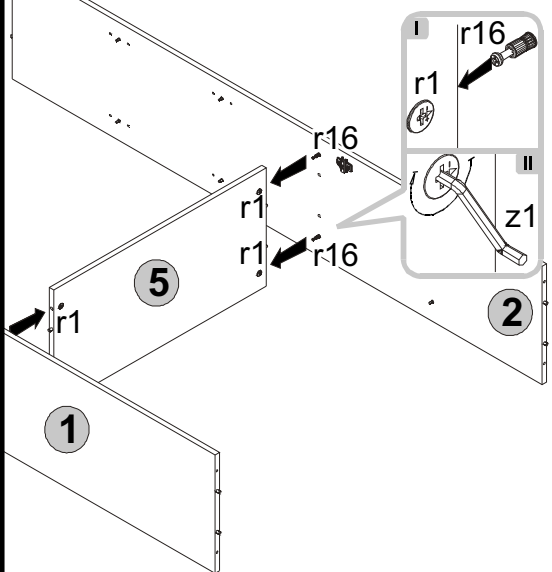
A	C	B	D
1	1916x370	S31-113	1/3
2	1916x370	S31-114	1/3
3	800x395	S31-207	2/3
4	800x395	S31-211	2/3
5	767x370	S31-306	1/3
6	767x370	S31-305	1/3
7	767x370	S31-307	1/3
8	792x396	S31-013	3/3
9	792x396	S31-014	3/3
10	1942x396	S31-1901	1/3
11	1912x14	Lh-1912	1/3



# 1



# 2



# 3

